

**VS**  
SASSOON

INSTRUCTION  
BOOKLET

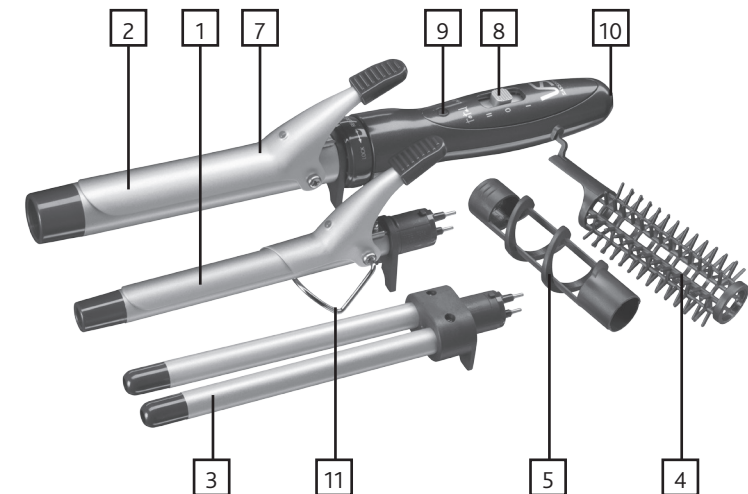
Total Curl

VS2021BA

## ABOUT YOUR TOTAL CURL

### CONGRATULATIONS!

Create defined curls, soft curls, s-shaped waves & ringlets. VS Sassoon's Total Curl is the perfect tool to create loads of styles, have a new style everyday of the week! It features ceramic tourmaline coating & two heat settings with fast heat up.



1. 16mm curling tong
2. 25mm curling tong
3. Double wave barrel
4. 16mm brush sleeve attachment
5. 16mm spiral sleeve attachment
6. Soft storage pouch
7. Ceramic tourmaline coating
8. On/off switch
9. On indicator light
10. Swivel power cord
11. Counter Rest



### CERAMIC TOURMALINE TECHNOLOGY

Even heat Ceramic Tourmaline Technology for less frizz & smooth results. Locks in shine as you style.

### 25MM & 16MM TONGS

For creating either glamorous curls (25mm) or more defined curls (16mm).

### DOUBLE BARREL CURLER

For creating S-shaped curls then brush out for an on-trend natural wave using the dual barrel curler.

### 16MM BRUSH SLEEVE ATTACHMENT

For shaping soft, gentle waves.

### 16MM SPIRAL SLEEVE ATTACHMENT

To create glamorous, tight ringlets.

### HIGH HEAT

For fast results & a style that will last.

## FIRST USE

- Remove all packaging & point of sale labels before use.
- Remove plastic cover from plug before use (used to protect it from damage during transportation)

## OPERATING INSTRUCTIONS

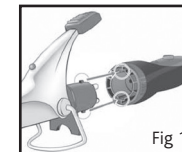
- Remove all packaging & sale labels before use.
  - Wash & condition your hair as usual. Ensure that hair is dry, combed through & tangle-free.
  - A plastic cover has been placed over the plug to protect it from damage. Remove the plastic cover before inserting into power outlet.
  - Connect an attachment to the unit before inserting it into the power outlet. See 'How to connect an attachment' for more information.
  - Plug the appliance into a suitable power outlet & select the desired temperature setting by pushing the switch to 'I' or 'II'. The red indicator light will illuminate.
  - 'I' temperature setting is the lower heat setting & 'II' is the higher heat setting.
- N.B.** when using the 16mm or 25mm curling tongs, there is a temperature indicator dot located on the barrels of the tongs & it will turn white when the unit has reached the ideal temperature.
- Allow the styler to heat up for about 5 minutes & then it is ready to use.

**IMPORTANT:** Hair that has been heavily bleached or chemically treated should only use the low heat settings on this product. Please consult your hairdresser on using heated appliances if you have any concerns about the condition of your hair.

## HOW TO CONNECT AN ATTACHMENT

Connect an attachment to the unit before inserting it into the power outlet.

1. Hold the handle with the switch facing up.
2. Place the metal rods of the attachment into the connectors inside the body of the unit. (Fig 1.)
3. Press the attachment in firmly & lock the unit by turning the ring towards 'LOCK' (Fig 2.)



## HOW TO REMOVE THE ATTACHMENT:

To remove the attachment after use, first allow the unit to cool completely.

1. Turn the ring towards 'RELEASE' then pull the attachment to remove.

## HOW TO USE THE CURLING TONGS:

1. Take a section of hair & place the curling tong at the bottom of the hair section; then spread hair evenly between the the clamp & the barrel. To avoid crimped ends, make sure they are securely wound underneath the clamp in the direction of the desired curl.
2. Roll the the tong up the hair section as far as you want it to be curled, being careful not to let the appliance touch the scalp. Hold in place for 10 to 15 seconds. For looser curls roll more hair, for tighter curls, roll less hair.
3. To remove the curling tong, unwind the hair. To 'set' the curl do not comb or brush hair until it cools. It is suggested to use the cool shot button on your hair dryer to help finish the curl for a longer lasting effect.
4. Style the remaining sections until all hair is curled.

**N.B.** Some experimenting is necessary when using a curling tong for the first time.

## HOW TO USE THE BRUSH SLEEVE ATTACHMENT:

For gentler, softer curls use the slip-on brush with the 16mm curling tong.

1. Make sure the barrel is cool. Slide the brush over the barrel.
2. Take up a section of hair & roll around the brush, hold for about 15 seconds & gently unroll the hair.
3. Allow your hair to cool before styling

Good hair  
makes  
you rule  
the world

LOVE YOUR STYLE™  
vssassoon.com.au

## 2 YEAR WARRANTY

Retain this section of the warranty card with your receipt/proof of purchase. You must present it to obtain replacement or service under the warranty.

**Register your product warranty [vssassoon.com.au/warranty](http://vssassoon.com.au/warranty) or [vssassoon.co.nz/warranty](http://vssassoon.co.nz/warranty) for warranty support & to stay up to date with the latest news from VS Sassoon**

The warranty may only be claimed where proof of original purchase is presented, i.e. original purchase receipt or invoice. Attach a copy of your purchase receipt & store in a safe place.

To make a warranty claim call Customer Service on the phone number below or email [aus\\_info@conair.com](mailto:aus_info@conair.com) or you can return the defective product back to the place it was purchased where it will be replaced (see Point 12 in Conditions).

Please provide the following details:

1. Date of purchase
2. Retailer Name & Location:
3. Product Name/Model Number:
4. Confirm you have your purchase receipt:
5. Detail the problem with your product:

Conair Australia Pty Ltd

PO Box 146

Terrey Hills

NSW 2084

Conair New Zealand Ltd

PO Box 251159

Eakuranga, Auckland

New Zealand 2140

**CONAIR**

Certain trademarks used under license from The Procter & Gamble Company or its affiliates.

©2019 Conair Australia Pty Ltd

Suite 101, 18 Rodborough Rd

Frenchs Forest NSW, 2086

Australia

**CUSTOMER SERVICE:**

Australia: 1800 650 263

New Zealand: 0800 266 247

**CONTACT US:**

For advice, tips on your new VS product

E-mail us on: [aus\\_info@conair.com](mailto:aus_info@conair.com)

**[vssassoon.com.au](http://vssassoon.com.au)**

VS2021BA

**Customer Service**

Australia

1800 650 263

email : [aus\\_info@conair.com](mailto:aus_info@conair.com)

**WARRANTY AGAINST DEFECTS**

**A. AUSTRALIAN CONSUMER LAW**

1. Our goods come with guarantees that cannot be excluded under the Australian Consumer Law. You are entitled to a replacement or refund for a major failure & compensation for any other reasonably foreseeable loss or damage. You are also entitled to have the goods repaired or replaced if the goods fail to be of acceptable quality & the failure does not amount to a major failure.
2. The guarantees under the Australian Consumer Law ("ACL") are provided in sections 51 to 59 inclusive of the ACL ("Statutory Guarantees") & the remedies are provided in sections 259 to 266 inclusive of the ACL ("Statutory Remedies").

**B. VS SASSOON EXTENDED WARRANTY**

1. In addition & subject to the Statutory Guarantees & Statutory Remedies, the following express warranty ("Warranty") commences from the date of purchase & continues for a period of 24 months ("Warranty Period") after which it expires. Subject to the conditions in Section C below, Conair warrants to the original purchaser ("Purchaser") of the VS Sassoon product that is the subject of this warranty ("Product") that if during the Warranty Period, the Product suffers from any defect caused by faults in materials or workmanship, Conair will a) replace the Product, or b) exchange defective parts in the Product or c) repair the Product, as Conair may choose in its discretion ("Warranty"). In this Warranty "Conair" means Conair Australia Pty Limited (ABN 64 068 492 044) of The Equinox Centre, Suite 101, 18 Rodborough Rd, Frenchs Forest, NSW, 2086. in relation to Products purchased in Australia & Conair New Zealand Ltd in relation to Products purchased in New Zealand.
2. To honour the Warranty, Conair must replace, or exchange parts in, or repair, the Product, as Conair determines, in accordance with paragraph B1 above, subject always to the conditions in Section C below.
3. If any of the conditions in Section C below are inconsistent with any provisions of the ACL or regulations made thereunder, those provisions of the ACL or regulations shall prevail to the extent of the inconsistency.

**C. CONDITIONS**

1. The Product must be used in accordance with manufacturer's instructions. This Warranty does not apply should the defect in or failure of the Product be attributable to misuse, abuse, accident, act of God such as lightning, or nonobservance of manufacturer's instructions on the part of the user. This Warranty does not cover ordinary wear & tear in the Product or its parts.
2. Conair does not accept liability for a) any loss or damage however suffered, caused by

**Customer Service**

New Zealand

0800 266 247

email: [aus\\_info@conair.com](mailto:aus_info@conair.com)

or arising out of any failure to use the Product in accordance with the manufacturer's instructions, & b) any indirect, consequential or economic loss or damage however caused.

3. This Warranty is immediately void if – a) any serial number or appliance plate is removed or defaced, b) the Product has been serviced or otherwise repaired by a person not authorized to do so by Conair or where non approved replacement parts are used.
4. The Product is designed for domestic use only. The Product must be connected to the electrical voltage supply as specified in the ratings label located on the Product. This Warranty does not cover defects arising from non-domestic use or incorrect voltage supply.
5. This Warranty may only be claimed against where proof of original purchase is presented, for example, original receipt or invoice.
6. Any parts of the Product that need to be replaced, or if the whole Product needs to be replaced, the replaced Product, become the property of Conair. The Warranty on any replacement Product or parts will expire on the same date that the Warranty Period on the original Product expires.
7. The benefits provided by this Warranty are in addition to all other rights & remedies in respect of the Product which the Purchaser has under the ACL, & applicable laws in New Zealand, which rights & remedies by law may not be excluded. All other warranties & representations express & implied are hereby excluded.
8. The defect must have occurred during the Warranty Period & Purchaser bears the onus of proving that fact, & that the defect was not caused by any of the causes excluded from this Warranty.
9. This Warranty does not cover Products purchased from any person who is not a retailer serviced by Conair's authorised distributors or purchased second hand.
10. The Purchaser is responsible for all postage & freight charges & any other expenses incidental to claiming against this Warranty.
11. The Warranty excludes consumable items (such as blades or brushes) & normal wear & tear.
12. If you're certain your product is defective, & the product is covered by the terms of this warranty, you need to take the product back to the place you purchased it from, where the retailer will replace the product for you on our behalf. In this event, per the terms of this warranty you will need to present this portion of the warranty card & the purchase receipt as proof of purchase so please make sure you keep both this card & your receipt on hand for the duration of the warranty period.

**SPARE PARTS**

Replacement parts may be available for your product. Contact us on the phone or email address provided for more details. Please provide your product name/model number details, date of purchase & part you require.

## HOW TO USE THE SPIRAL ATTACHMENT:

For tight & well-shaped curls, use the slip-on spiral attachment with the 16mm curling tong.

1. Make sure the barrel is cool. Slide the spiral attachment over the barrel.
2. Take up a section of hair of about 2-3cm & roll it around the spiral, hold for about 15 seconds & gently unroll the hair.
3. Allow your hair to cool before styling

**N.B.** for a better hold, mist the section of hair lightly with hairspray before working with it.

## HOW TO USE THE DOUBLE WAVE BARREL TONG (Fig 3.):

A new attachment for creating on trend, wavy curls.

1. Ensure hair is dry
2. Take a section of hair of about 5cm.
3. Place the section between the two tubes.
4. Roll it around tube A & then around tube B in a figure "8". Continue rolling in this way until the section is rolled around the tubes. The ends should be near the cool tips.
5. Hold for 15 seconds & gently unroll & allow the wave to cool after styling.

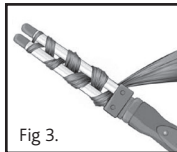


Fig 3.

## WHAT IS CERAMIC TOURMALINE TECHNOLOGY?

Ceramic tourmaline technology delivers even heat without hot spots. Tourmaline is a semiprecious crystal which is a natural source of negative ions & far-infrared (FIR) rays. The production of negative ions from tourmaline eliminates static in the hair, & far-infrared rays assist in the deep penetration of heat thus preventing hair damage. When in contact with wet hair, Ceramic tourmaline technology works to ionise & alkalise moisture, & provides antibacterial & deodorant qualities.

## IMPORTANT SAFETY INSTRUCTIONS

The following safety precautions should always be followed when using electrical appliances, especially when children are present in your household. Please read these instructions carefully & keep for future reference.

Polythene bags over product or package may be dangerous. To avoid danger of suffocation, keep this wrapper away from babies & children. This bag is not a toy.

## DANGER

- **WARNING:** Do not use this appliance in or near bathtubs, showers, basins or other vessels containing water. Keep the appliance dry.
- When this appliance is used in a bathroom, unplug it after use since the proximity of water presents a hazard even when the appliance is switched off.
- If this appliance falls into water, unplug it immediately - DO NOT reach into the water.
- **WARNING:** Before & During Use
- Before using, always ensure that the voltage marked on the appliance is the same as your local power voltage.
- If the appliance is designed to be connected to a detachable power supply (otherwise known as a charger or adaptor), the appliance must only be used with the power supply it was sold with.
- Do not operate this appliance or disconnect from the power supply with wet hands.
- Never use this appliance at the same time as styling products such as aerosols (spray).
- Be very careful when handling this appliance as parts of it may get extremely hot.
- Do not place the appliance on any heat sensitive surface or near flammable materials or objects.
- Do not immerse the appliance into water or other liquids.
- Keep the cord away from heated surfaces.
- Never block the air openings of the appliance or place on a soft surface such as a bed or couch, where the air openings may be blocked. Keep the air openings free of lint & other debris.
- Do not cover this appliance with anything when it is switched on or hot.
- To avoid electric shock, do not drop or insert any object into an opening in this appliance.



- Burn hazard. Keep appliance out of reach from young children, particularly during use & cool down.
- Always place appliance with stand, if any, on a heat-resistant, stable flat surface.
- When the appliance is connected to the power supply, never leave it unattended.
- Do not use an extension cord with this appliance.
- Unit is hot when in use, take care to avoid contact between the hot surface of the unit & the skin. playing particular attention to the face, neck & hands.

**WARNINGS:** for Storage & Maintenance

- Always unplug the appliance immediately after use & before cleaning or maintenance.
- Do not leave the appliance unattended when plugged in or switched on.
- Always allow the appliance to cool down before storing away in a location where children cannot reach it.
- Do not store or place this appliance in a location where it can fall or be pulled into a bath or sink.
- Do not wrap the supply cord around this appliance when storing as over time this may cause damage to the cord.
- If the supply cord is damaged it must be replaced by the manufacturer, its service agent or similarly qualified persons in order to avoid a hazard.
- Never operate this appliance if it has been dropped or damaged, or if it is not working correctly.
- If this appliance is serviced by an unqualified person this could result in an extremely hazardous situation for the user. Contact Conair Customer service if you have any issues operating your styler.

## CAUTION

- This appliance is not intended for use by persons (including children) with reduced physical, sensory or mental capabilities or lack of experience & knowledge unless they have been given supervision or instruction concerning use of the appliance by a person responsible for their safety.
- Children should be supervised to ensure they do not play with the appliance.
- Use this appliance only for its intended use & as described in this manual. This appliance is not intended for commercial use.
- Do not use any attachments other than those supplied by Conair Australia Pty Ltd.
- For additional protection, the installation of a residual current device (RCD) with a rated operating current not exceeding 30mA is advisable in the electrical current circuit supplying the bathroom. Ask your installer for advice.